

**Coffee System**  
**Side milk refrigerator for up to 9**  
**liter milk containers for TANGO ST**

ITEM # \_\_\_\_\_

MODEL # \_\_\_\_\_

NAME # \_\_\_\_\_

SIS # \_\_\_\_\_

AIA # \_\_\_\_\_



871024 (FST9)

Side milk refrigerator for up to 9 liter milk containers for TANGO ST

**Main Features**

- Additional Tango® ST Fridge milk refrigerator with a removable 9 liter milk container and a built-in cooling unit that consistently maintains cold milk temperatures.
- Supply, heating and foaming of fresh milk for creating delicious hot or cold drinks with milk or frothed milk.
- Efficient insulation all around.

**Construction**

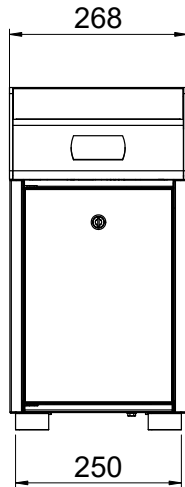
- The design of the milk refrigerator is in line with the Tango® SOLO ST, 1 group full-automatic and Tango® DUO ST, 2 group full-automatic.
- Internally rounded corners for easy cleaning.
- Built-in cooling unit.
- Digital display to set temperature, control self-defrosting, milk level warning.
- Cup tray on top provides large storage.

**Optional Accessories**

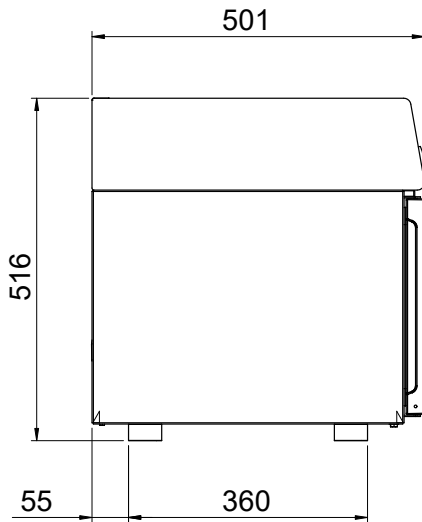
- Raised feet kit PNC 871041

APPROVAL: \_\_\_\_\_

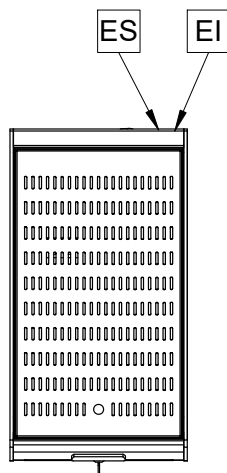
Front



Side



Top



**Electric**

**Stekker type**

871024 (FST9)

Kabel zonder stekker

**Supply voltage:**

220-240 V/1N ph/50 Hz

**Electrical power, max:**

0.08 kW

**Key Information:**

**Net weight:**

25 kg

**Sustainability**

**Current consumption:**

0.5 Amps

**Refrigerant type:**

R600a